

Shipbuilding
solutions and
strategies that work.



Tailored Maritime
Solutions

www.b2bmarine.com
Rotterdam, the Netherlands

ABOUT US

B2B Marine, is a privately owned, independent marine engineering & consulting company located in Rotterdam, the Netherlands. We work primarily with ship-owners, shipyards and engineering offices and we provide reliable, working solutions to our customers.

Our main activities: are shipbuilding consultancy, project management, ship design and engineering, sales of Marine equipment. B2B Marine is exclusive distributor and agent of top quality products in the Netherlands.

**Experience + Creativity
= Solutions**

SHIP DESIGN & ENGINEERING

- Naval Architecture
- Mechanical & Marine Engineering (Detail and Basic)
- Design Check
- 2D & 3D Visualization
- Energy Optimization
- Marine Transportation
- Engineering Simulation & Analysis
- Interior Design
- Project Management.
- Pipe spool Design, Engineering and Production
- On site inspection

SHIPBUILDING CONSULTANCY

B2B Marine provides reliable construction solutions for owners, yards and contractors, for new build, repair and conversion projects. Our broad understanding of the requirements of Western ship owners, operators and offshore contractors creates a solid base from which to assist and support our customers when they seek and explore cost-efficient vessel construction in Turkey.

MARINE EQUIPMENT & SYSTEMS

Wide Range of Services;

- Turk-Key Accommodation solutions
- Watertight/weathertight doors and Hatches
- Ship windows, Side scuttles and portholes
- Lightwiehgt honeycomb doors and furniture
- Marine type Furniture
- Marine Winch and Crane systems
- Propulsion systems, bow/stern thrusters
- Stainless steel Galley and Equipment
- Stainless steel, aluminium, steel ship outfitting design and production
- Marine interior design and production



BUREAU
VERITAS





www.b2bmarine.com

Rotterdam, the Netherlands

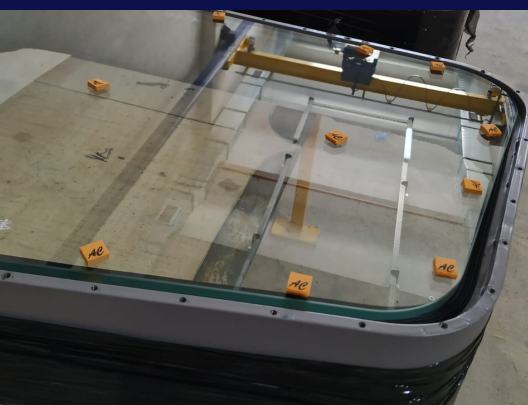
Ship Windows, Side Scuttles and Portholes



We provide high quality and latest technology ship windows, portholes, wiper systems, Fire rated windows, portholes, glasses.

All our windows made of aluminum, steel and stainless steel materials, we fulfill the requirements of all classification societies (incl. IACS members: BV, DNV, RINA, ABS, LR),

international standards (ISO 3903 and IMO 754(18))



Detail A
Ergonomic
handle

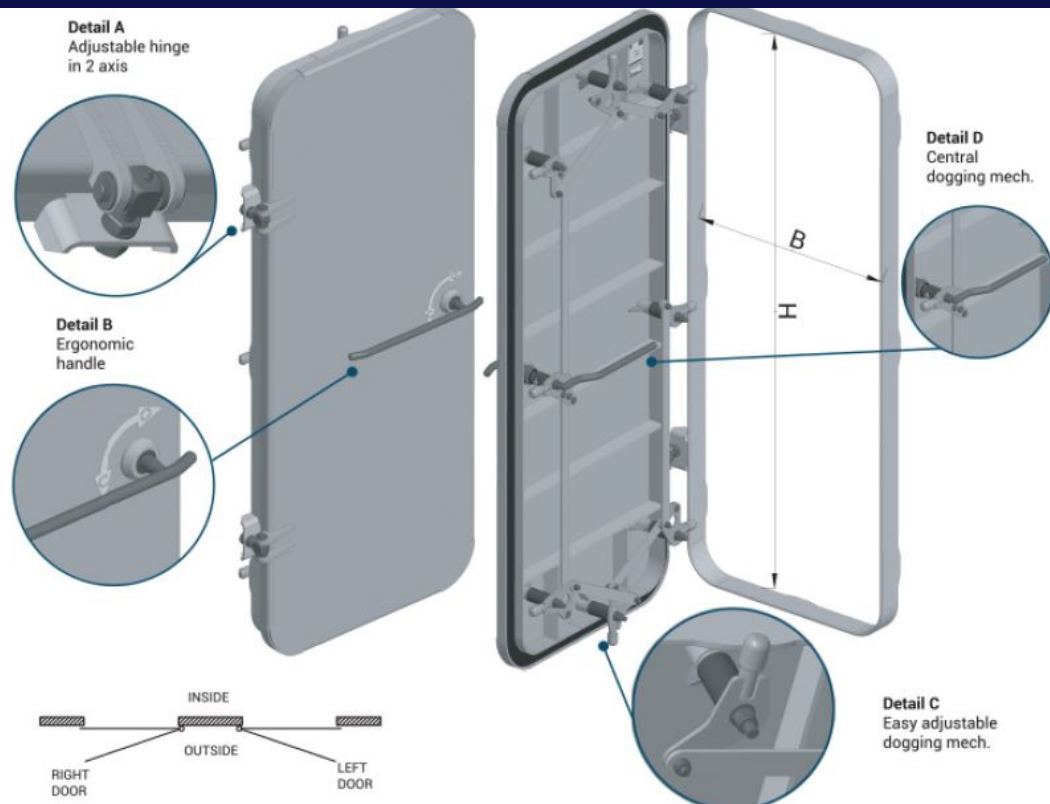
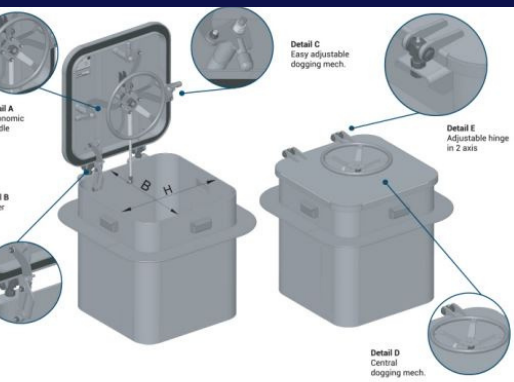
Detail B
Stoper

Detail D
Adjustable hinge
in 2 axis

Detail E

Watertight / Weathertight doors and Hatches

WATERTIGHT SHIP DOOR



For our clients, we design, engineer and manufacture;

- Watertight doors and hatches (flush or high coamings)
- Weather tight doors, decorative doors and hatches
- Mist Eliminators
- Door accessories: Door stop/Catch, spring loaded catch, heavy duty marine hinges.

We have a high level standardization however we are also able to provide custom solutions to our customers. All our products comply with the international standards and IACS classification societies (BV, DNV, RINA, LR, ABS)



www.b2bmarine.com

Rotterdam, the Netherlands



Marine Accommodation outfitting products



We design, engineer, deliver and install turn-key accommodation projects. New build or refit projects, improving accommodation for more optimize space arrangement, Noise or vibration levels. We control whole process from inquiry to delivery in all stages.

Through our strong partner Cita Marine, we also deliver marine accommodation products such as honeycomb doors, panels, fixed and removable furniture, seats, sofas, chairs, marine grade soft furniture.



www.b2bmarine.com

Rotterdam, the Netherlands

Ship Stainless Steel Galley-Pantry



We design and deliver all kind of stainless steel ship galley and pantry. First define the specification with our clients then we make 3D model with 100% precision for your projects. Once we agree on the design and specification we produce and deliver to your door.

We are also able to provide high end stainless steel furniture upon request and we are more than happy to assist your development projects with our experience in stainless steel materials.

100% precision with 3D modeling

B 2 B Marine
Marine Solutions

www.b2bmarine.com

Rotterdam, the Netherlands

Marine Cranes and Winches

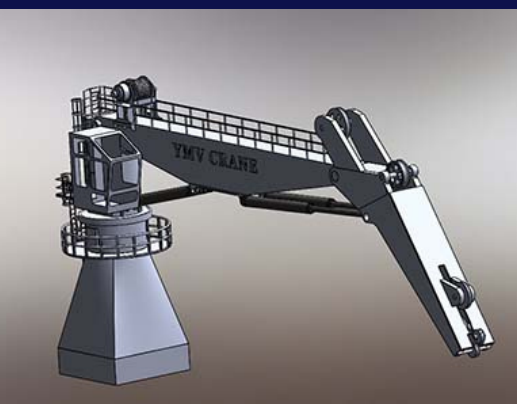
We are happy to provide Marine winches and Cranes for your projects. With our engineering background we assist you in the design stage and support till the delivery and the commission of the equipment.

Marine Winches: Towing winch, Active Heave Compensation Winch, Anchor Winch, Constant Tension Winch, Capstain/Vertical Windlass, Deep sea Winch, Trawl Winch.

Marine Cranes: Offshore Cranes, Passive/Active Heave Compensation Cranes, Cargo Handling Cranes, Hatch Cover Cranes, Telescopic Boom Cranes, Provision - Hose Handling Cranes, Yacht Cranes, Rescue Boat Davit Cranes, Freefall Lifeboat Davit Cranes

All our products can be offered with required class certificates from IACS member classification societies (BV, DNV, RINA, ABS, LR) and we offer fully customized solutions for any project.

 **B 2 B Marine**
Marine Solutions



| Tunnel Diameter (mm) | Power (kW) | Propeller Diameter (mm) | Electric Motor (RPM) | Tunnel Length (mm) |
|----------------------|------------|-------------------------|----------------------|--------------------|
| 480 | 22 | 440 | 1000 | 1000 |
| 480 | 30 | 440 | 1450 | 1000 |
| 480 | 37 | 440 | 1450 | 1000 |
| 500 | 45 | 460 | 1450 | 1000 |
| 550 | 55 | 500 | 1450 | 1000 |
| 690 | 75 | 635 | 1450 | 1000 |
| 690 | 90 | 635 | 1450 | 1000 |
| 720 | 110 | 665 | 1450 | 1000 |
| 720 | 132 | 665 | 1450 | 1000 |
| 860 | 160 | 800 | 1450 | 1000 |
| 965 | 200 | 900 | 1450 | 1000 |
| 1055 | 250 | 1000 | 1450 | 1500 |
| 1110 | 300 | 1050 | 1450 | 1500 |
| 1380 | 450 | 1250 | 1450 | 1500 |
| 1380 | 500 | 1300 | 1450 | 1500 |

www.b2bmarine.com

Rotterdam, the Netherlands

Bow/Stern Thrusters and Propulsion Systems



YMV Bow Thruster Control Panel



YMV Bow/Stern Thruster

- Electric /Hydraulic drive
- Power: 22-560 kW
- Propeller Dia: 440-1400 mm
- Wheelhouse Control Panel
- Class Certificate

We provide tailor made bow thruster, stern thruster for ships and mega yachts to support the mooring or harbor operations and extends maneuvering ability. When applied in Dynamic Positioning systems, extends the Dynamic Positioning capability of offshore supply vessels

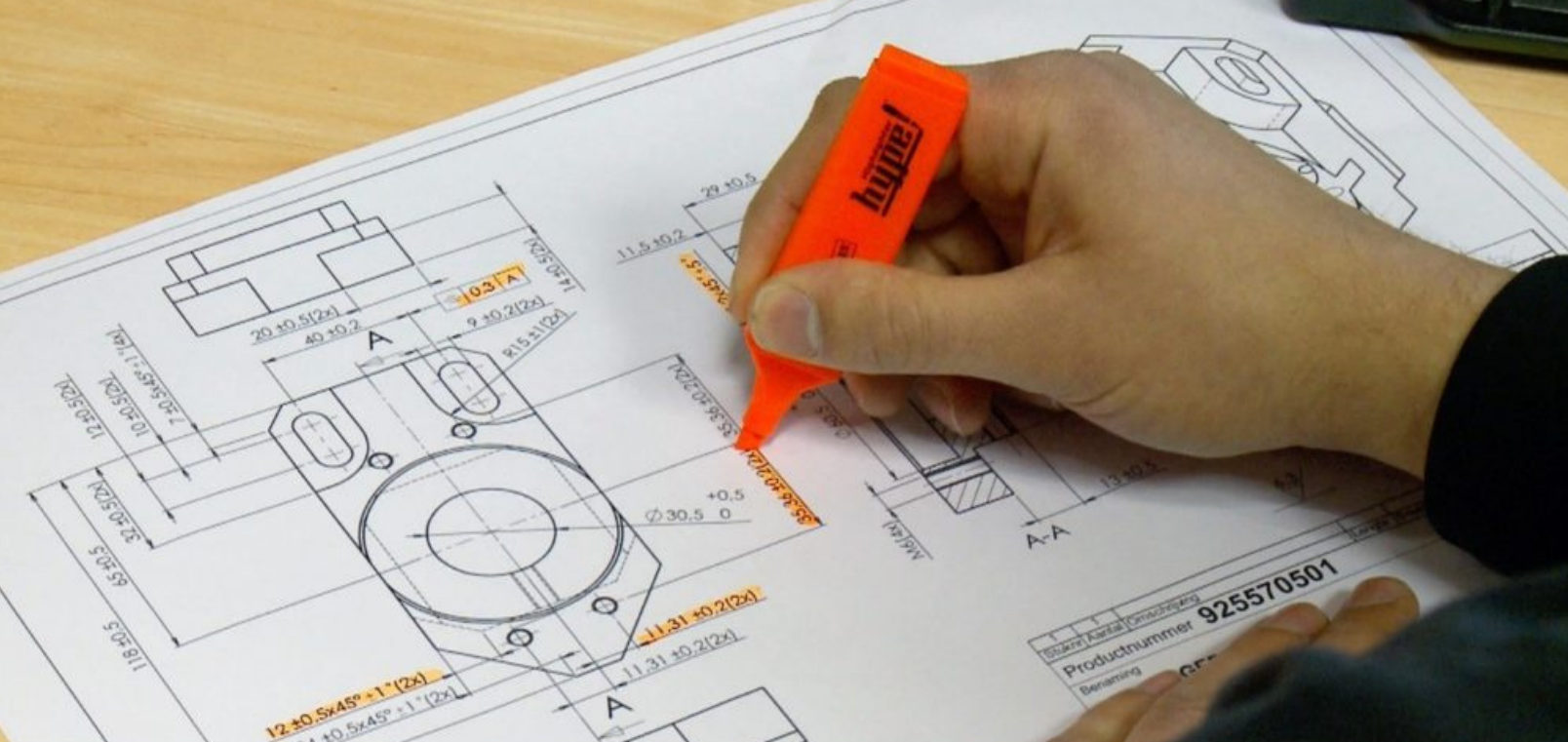
All our products can be offered with required class certificates from IACS member classification societies (BV, DNV, RINA, ABS, LR) and we offer fully customized solutions for any project.



www.b2bmarine.com

Rotterdam, the Netherlands

**Steel/RVS/Aluminum
Deck outfitting and
equipment design,
engineering and
production**



In our workshop based in Turkey, we are happy to assist our clients with custom steel, stainless steel, aluminum outfitting parts and equipment. We design, engineer and get all the necessary approvals for our constructions and deliver to our clients.

Stern rollers
Anchor handling rollers
Steel/Stainless steel high end mooring deck fittings, bollards.
Manhole covers, pipe spools

Don't make small works in your big facilities, let us do that for you.

B 2 B Marine
Marine Solutions

Detail Engineering and work preparation

SHIPBUILDING (HULL):

- 3D Section modeling according to our clients' standards/software
- Workshop drawings for sections and outfitting items (railing, hatches, manholes, fenders etc)
- Cutting information (NC Files)• Production sketches (Bending templets, Profile sketches etc)
- Production lists (Part list, MT, profile list)• Weight lists

MECHANICAL (PIPING):

- 3D Equipment Modelling
- 3D arrangements
- Pipe Modelling (\geq DN50/ \leq DN50)
- Weight and Center of Gravity Calculations
- Pipe Support Modelling
- Pipe Arrangement Drawings
- Axonometric Drawings
- Isometrics/Spools
- Pipe and Fittings Material List
- Penetration List
- Cable / Cable tray Arrangement Drawings

Tailored Maritime
Solutions

AVAILABLE ENGINEERING CAPACITY
THROUGH B2B MARINE
ON HOURLY BASIS OR FIXED PRICE PER PROJECT

www.b2bmarine.com
Rotterdam, the Netherlands

WHY B2B MARINE?

01 We are engineers
We are naval architects and marine engineers. We speak the shipbuilding language.

03 Competition
Highly competitive price and on time delivery

05 Know-how
Know-how on engineering for selecting the best equipment for your projects. We know our products and limits very well.

07 Quality
All our products are carefully engineered and approved. 100% in house production at our facilities in Turkey.

02 Experience
Immense experience in technical specifications and classification requirements

04 Tailored
Custom, made to measure solutions. Flexibility!

06 Logistics
Direct service from Rotterdam

Clients

DAMEN



SCHIEPERSWERF BOLSMA

Stena Line

Lloyd's Register Marine



BUREAU VERITAS



MASTERSHIP

VOESTLAND OFFSHORE

WESTERN BALTIJA SHIPBUILDING
BLRT GRUPP

STRAATMAN BV

Mooring & Dredging Equipment

VDL
VDL AEC Maritime

seaspan

B 2 B Marine
Marine Solutions



www.b2bmarine.com
info@b2bmarine.com