



Tailored Maritime
Solutions



- Equipment
- Outfitting
- Engineering

www.b2bmarine.com
Rotterdam, the Netherlands

ABOUT US

B2B Marine, is a privately owned, independent marine engineering & consulting company located in Rotterdam, the Netherlands. We work primarily with ship-owners, shipyards and engineering offices and we provide reliable, working solutions to our customers.

Our main activities: are shipbuilding consultancy, project management, ship design and engineering, sales of Marine equipment. B2B Marine is exclusive distributor and agent of top quality products in the Netherlands.

**Experience + Creativity
= Solutions**

SHIP DESIGN & ENGINEERING

- Naval Architecture
- Mechanical & Marine Engineering (Detail and Basic)
- Design Check
- 2D & 3D Visualization
- Energy Optimization
- Marine Transportation
- Engineering Simulation & Analysis
- Interior Design
- Project Management.
- Pipe spool Design, Engineering and Production
- On site inspection

SHIPBUILDING CONSULTANCY

B2B Marine provides reliable construction solutions for owners, yards and contractors, for new build, repair and conversion projects. Our broad understanding of the requirements of Western ship owners, operators and offshore contractors creates a solid base from which to assist and support our customers when they seek and explore cost-efficient vessel construction in Turkey.

MARINE EQUIPMENT & SYSTEMS

Wide Range of Services;

- Freeman Cast hatches and parts
- Turk-Key Accommodation solutions
- Watertight/weathertight doors and Hatches
- Ship windows, Side scuttles and portholes
- Lightwieght honeycomb doors and furniture
- Marine type Furniture
- Marine Winch and Crane systems
- Propulsion systems, bow/stern thrusters
- Stainless steel Galley and Equipment
- Stainless steel, aluminium, steel ship outfitting custom design and production



www.b2bmarine.com

Rotterdam, the Netherlands



Freeman Cast Hatches and Spare Parts



**OPENING THE FUTURE
TO SECURITY AT SEA**

B2B Marine is the exclusive distributor of Freeman Marine cast hatches and prats in the Netherlands, Germany, and Belgium.

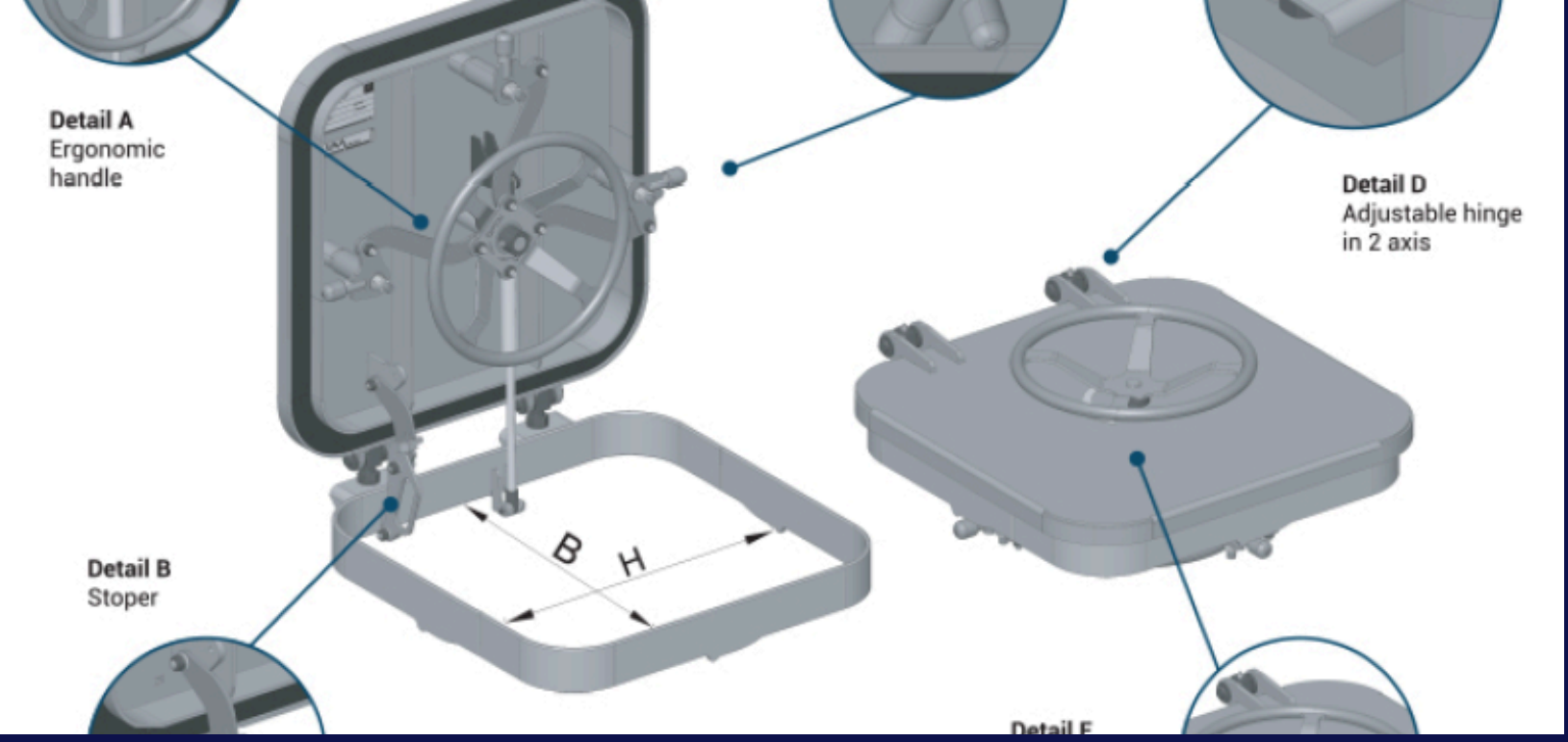
These high-quality hatches are trusted worldwide for their rugged construction and long-term performance in commercial and offshore vessels. With local stock and efficient logistics, we ensure fast delivery and reliable support to meet your operational needs.

Available with Type Approval IACS

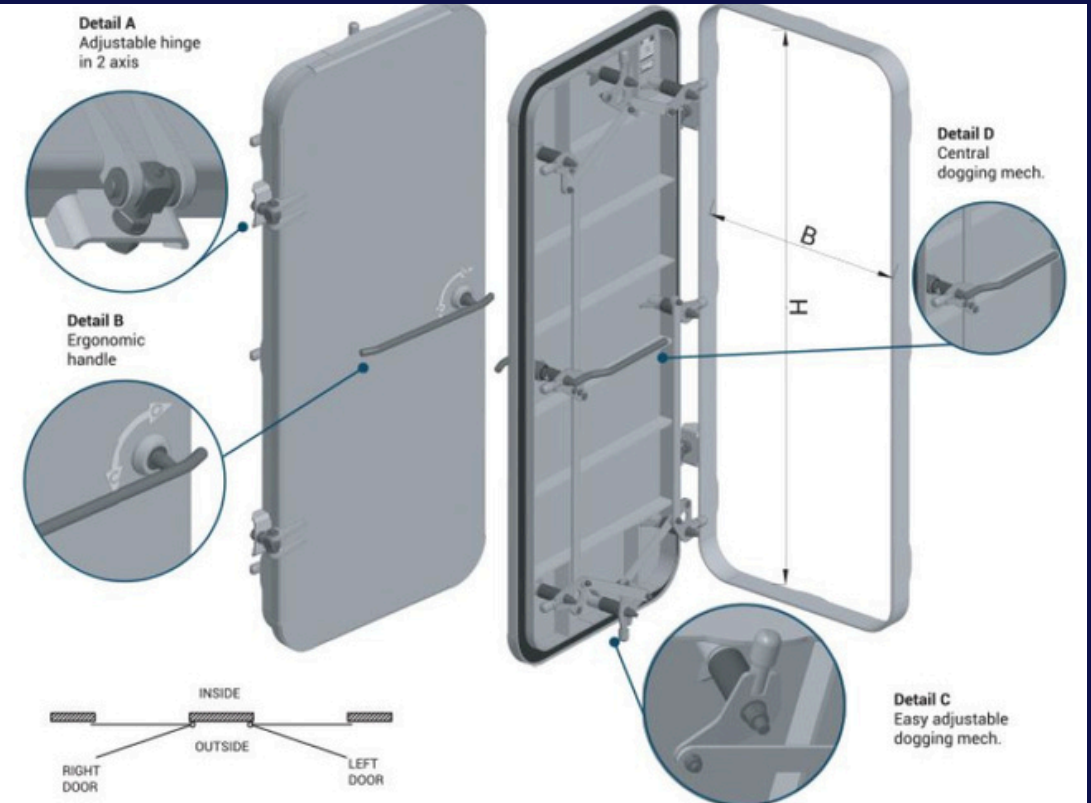


**THE FIRST NAME IN PERFORMANCE, EXPERIENCE
& SERVICE FOR WATERTIGHT DECK HATCHES...**





Watertight / Weathertight doors and Hatches



For our clients, we design, engineer and manufacture;

- Watertight doors and hatches (flush or high coamings)
- Weather tight doors, decorative doors and hatches
- Mist Eliminators
- Door accessories: Door stop/Catch, spring loaded catch, heavy duty marine hinges.

We have a high level standardization however we are also able to provide custom solutions to our customers. All our products comply with the international standards and IACS classification societies (BV, DNV, RINA, LR, ABS)





www.b2bmarine.com

Rotterdam, the Netherlands

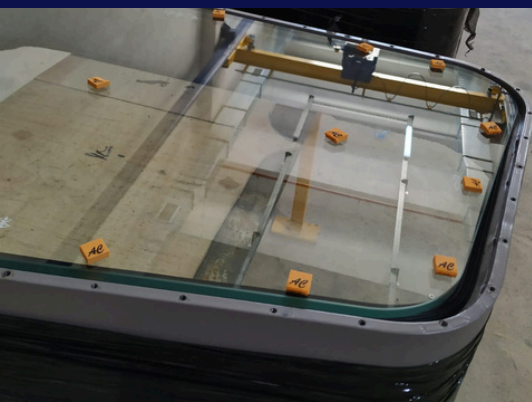
Ship Windows, Side Scuttles and Portholes



We provide high quality and latest technology ship windows, portholes, wiper systems, Fire rated windows, portholes, glasses.

All our windows made of aluminum, steel and stainless steel materials, we fulfill the requirements of all classification societies (incl. IACS members: BV, DNV, RINA, ABS, LR),

international standards (ISO 3903 and IMO 754(18))



B 2 B Marine
Marine Solutions



www.b2bmarine.com

Rotterdam, the Netherlands



**Marine
Accommodation
outfitting products &
Stainless steel Galley**



We design, engineer, deliver and install turn-key accommodation projects. New build or refit projects, improving accommodation for more optimize space arrangement, Noise or vibration levels. We control whole process from inquiry to delivery in all stages.

Through our strong partner Cita Marine, we also deliver marine accommodation products such as honeycomb doors, panels, fixed and removable furniture, seats, sofas, chairs, marine grade soft furniture.



B 2 B Marine
Marine Solutions

www.b2bmarine.com

Rotterdam, the Netherlands

Marine Cranes and Winches

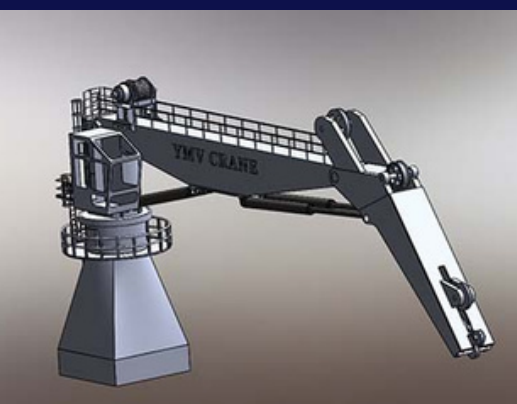
We are happy to provide Marine winches and Cranes for your projects. With our engineering background we assist you in the design stage and support till the delivery and the commission of the equipment.

Marine Winches: Towing winch, Active Heave Compensation Winch, Anchor Winch, Constant Tension Winch, Capstain/Vertical Windlass, Deep sea Winch, Trawl Winch.

Marine Cranes: Offshore Cranes, Passive/Active Heave Compensation Cranes, Cargo Handling Cranes, Hatch Cover Cranes, Telescopic Boom Cranes, Provision - Hose Handling Cranes, Yacht Cranes, Rescue Boat Davit Cranes, Freefall Lifeboat Davit Cranes

All our products can be offered with required class certificates from IACS member classification societies (BV, DNV, RINA, ABS, LR) and we offer fully customized solutions for any project.

**B 2 B Marine**
Marine Solutions



Tunnel Diameter (mm)	Power (kW)	Propeller Diameter (mm)	Electric Motor (RPM)	Tunnel Length (mm)
480	22	440	1000	1000
480	30	440	1450	1000
480	37	440	1450	1000
500	45	460	1450	1000
550	55	500	1450	1000
690	75	635	1450	1000
690	90	635	1450	1000
720	110	665	1450	1000
720	132	665	1450	1000
860	160	800	1450	1000
965	200	900	1450	1000
1055	250	1000	1450	1500
1110	300	1050	1450	1500
1380	450	1250	1450	1500
1380	500	1300	1450	1500

www.b2bmarine.com

Rotterdam, the Netherlands

Bow/Stern Thrusters and Propulsion Systems



YMV Bow Thruster Control Panel



YMV Bow/Stern Thruster

- Electric /Hydraulic drive
- Power: 22-560 kW
- Propeller Dia: 440- 1400 mm
- Wheelhouse Control Panel
- Class Certificate

We provide tailor made bow thruster, stern thruster for ships and mega yachts to support the mooring or harbor operations and extends maneuvering ability. When applied in Dynamic Positioning systems, extends the Dynamic Positioning capability of offshore supply vessels

All our products can be offered with required class certificates from IACS member classification societies (BV, DNV, RINA, ABS, LR) and we offer fully customized solutions for any project.

B 2 B Marine
Marine Solutions

Basic - Detail Engineering & Work preparation

SHIPBUILDING (HULL):

- 3D Section modeling according to our clients' standards/software
- Workshop drawings for sections and outfitting items (railing, hatches, manholes, fenders etc)
- Cutting information (NC Files)• Production sketches (Bending templets, Profile sketches etc)
- Production lists (Part list, MT, profile list)• Weight lists

MECHANICAL (PIPING):

- 3D Equipment Modelling
- 3D arrangements
- Pipe Modelling (>=DN50/<=DN50)
- Weight and Center of Gravity Calculations
- Pipe Support Modelling
- Pipe Arrangement Drawings
- Axonometric Drawings
- Isometrics/Spools
- Pipe and Fittings Material List
- Penetration List
- Cable / Cable tray Arrangement Drawings

Tailored Maritime
Solutions

AVAILABLE ENGINEERING CAPACITY
THROUGH B2B MARINE
ON HOURLY BASIS OR FIXED PRICE PER PROJECT

www.b2bmarine.com
Rotterdam, the Netherlands

WHY B2B MARINE EQUIPMENT BV?

01 We are engineers
We are naval architects and marine engineers. We speak the shipbuilding language.

02 Experience
Immense experience in technical specifications and classification requirements

03 Competition
Highly competitive price and on time delivery

04 Tailored
Custom, made to measure solutions. Flexibility!

05 Know-how
Know-how on engineering for selecting the best equipment for your projects. We know our products and limits very well.

06 Logistics
Direct service from Rotterdam

07 Quality
All our products are carefully engineered and approved. Perfect track record and references

Clients





www.b2bmarine.com
sales@b2bmarine.com